

# ELECTRICAL ROTATING CONNECTOR

## 旋轉連接器 水銀滑環

TEL:0755-33852999



- Very low electric noise
- Very low cost
- Very low contact resistance (Less than  $1m\Omega$ )
- No maintenance and better reliability than traditional slig rings
- Suitable for signal and power transfer of rotating devices or instruments

- 無雜訊
- 低單價
- 小於 $1m\Omega$ 之接觸電阻
- 不必保養，比傳統式滑環更耐用
- 適合用於任何旋轉體之信號及電力接續

## Construction and Function 構造&功能

The rotating electrical connectors are using the special insulation, sealing, and conductive technologies. The out case material is the aluminum alloy or stainless steel.

They are used for any kind of rotating objects of signals like micro voltage, current, EMF, thermos couple, strain gauge, audio, video, high frequency etc. and electric power connections.

All types of our liquid metal rotary connectors support CE RoHS compliance. Please contact us for detail.

旋轉連接器利用特殊密封，絕緣及導電技術製成，其外殼為陽極處理鋁合金或不鏽鋼材料。

用於任何旋轉之信號如微小電壓、電流、EMF、熱電偶、Strain gauge、影音訊號、高頻、電腦訊號及電力的接續。

我們所有旋轉連接器類型支持並且符合 CE RoHS規格之產品。請來電洽談。

## Application 用途

- Index table for signal and power connection
- Resistor cutting machine
- Electro plating line
- Rotary stage
- Cable wheel
- Circle knitting machine
- Coloring device
- Robots
- Rotary lamp box
- Surgical lamp
- Reel to reel plating line equipment
- Speed dome camera
- Package machine
- Heating roller
- Laminating machine
- Winding machine
- Spinning LED sign board
- Wind Turbines
- Pipe inspection Camera
- Welding machines
- 旋轉工作盤之信號及電力之連接
- 電阻切割機
- 水平鍍銅線
- 旋轉舞台
- 電纜捲筒
- 圓形針織機
- 染色設備
- 機器手臂
- 旋轉燈箱
- 手術燈
- 旋轉鍍銀線
- 旋轉攝影機
- 包裝機
- 熱滾輪
- 壓模機
- 繞線機
- LED廣告燈
- 風力發電機
- 管內攝影機
- 電焊機

# ELECTRICAL ROTATING CONNECTOR 旋轉連接器 水銀滑環

## SINGLE CONDUCTOR 單極旋轉連接器



### Specification 規格

TEL:0755-33852999

Model 型號	Conductor Poles 極數	Current Amp. 電流	Voltage AC/V 耐壓	Max. Freq. MHZ 頻率	Max. RPM 最大轉速	Operating Temp. Max/Min °C 使用溫度	Rotating Torque (gm-cm) 轉矩	Insulation Resistance 絕緣阻抗
A1M	1	10	N/A	200	3600	60/-30	35	N/A
A1MT	1	10	N/A	200	3600	60/-30	35	N/A
A1M2	1	20	N/A	200	2000	60/-30	50	N/A
A1M5	1	50	N/A	200	1800	60/-30	70	N/A
A1M12	1	120	N/A	200	1500	60/-30	150	N/A
A1HH	1	250	N/A	200	1200	60/-30	250	N/A
A1H25S	1	250	N/A	200	1200	60/-30	250	N/A
A1H25PS	1	250	N/A	200	1200	60/-30	250	N/A
A1H35S	1	350	N/A	200	800	60/-30	300	N/A
A1H50S	1	500	N/A	200	300	60/-30	700	N/A
A1H50PS	1	500	N/A	200	300	60/-30	700	N/A
A1H65S	1	650	N/A	200	200	60/-30	1000	N/A
A1H65PS	1	650	N/A	200	200	60/-30	1000	N/A
A1H90PS	1	900	N/A	200	200	60/-30	1100	N/A
A1H150PS	1	1500	N/A	200	100	60/-30	2000	N/A
A1H300PS	1	3000	N/A	200	60	60/-30	3000	N/A
A1H500FS	1	5000	N/A	200	30	60/-30	5000	N/A
A1H750FS	1	7500	N/A	200	20	60/-30	7000	N/A

**A1M 1pole 10A**

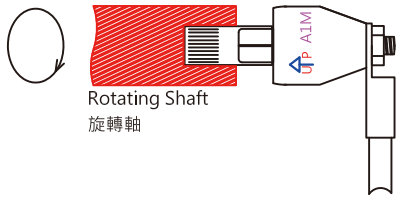
**A1MS**



◀ **AIM-1**  
Receptacles  
金屬接頭

SUS body + SUS bearing

● **Mounting 安裝**



Holding by electric wire  
以電線拉住

**A1MT 1pole 10A**

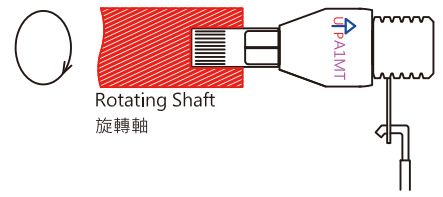
**A1MTS**

SUS body + SUS bearing



◀ **AIM-5**  
Plastic cap  
塑膠插頭

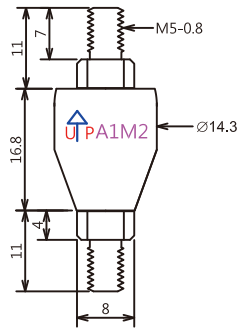
● **Mounting 安裝**



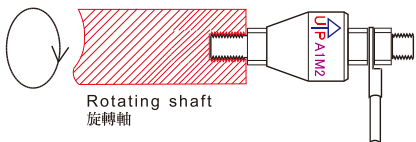
Holding by electric wire  
以電線拉住

**A1M2 1pole 20A**

**A1M2S**



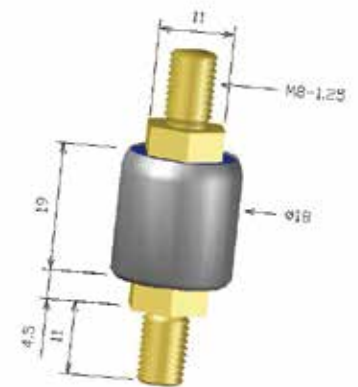
● **Mounting 安裝**



Holding by electric wire  
以電線拉住

**A1M5 1pole 50A**

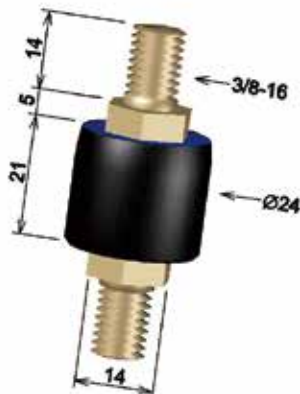
**A1M5S**



SUS body + SUS bearing

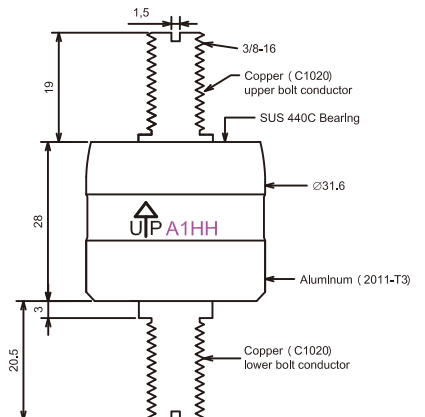
**A1M12 1pole 120A**

**A1M12S**

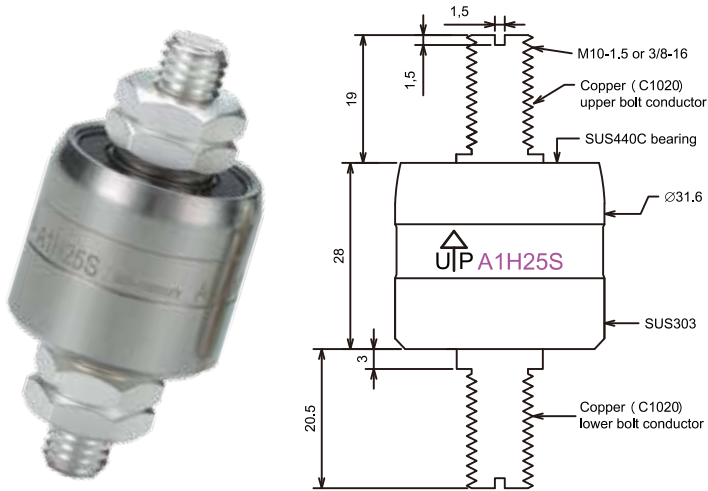


SUS body + SUS bearing

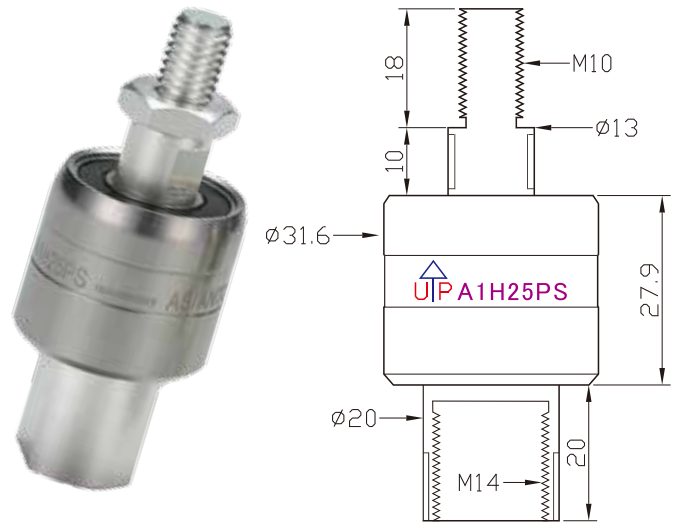
**A1HH 1pole 250A**



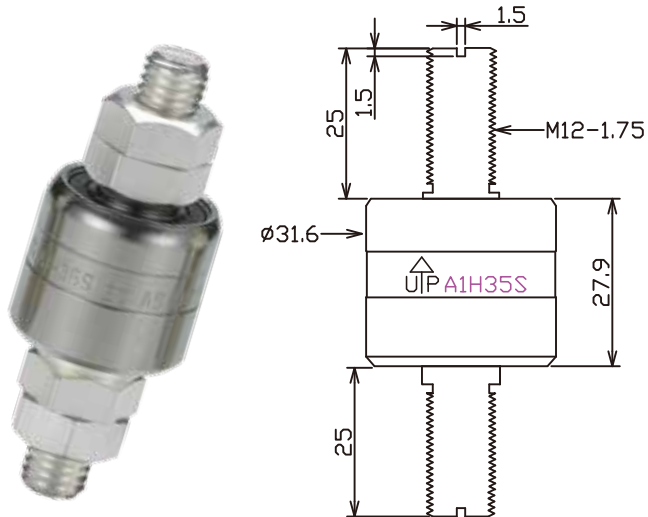
### A1H25S 1pole 250A



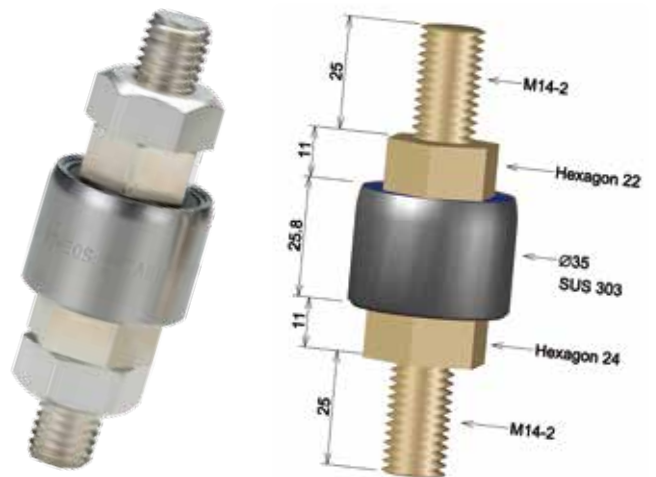
### A1H25PS 1pole 250A



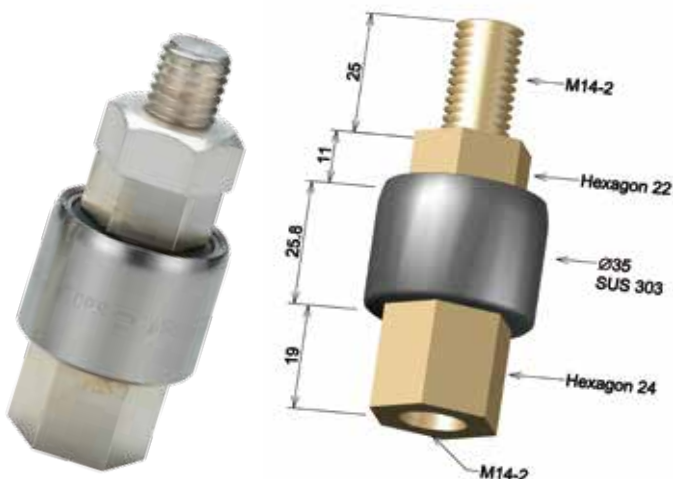
### A1H35S 1pole 350A



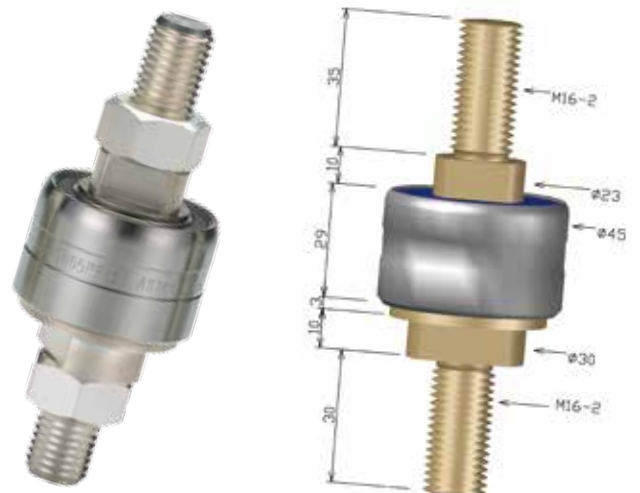
### A1H50S 1pole 500A



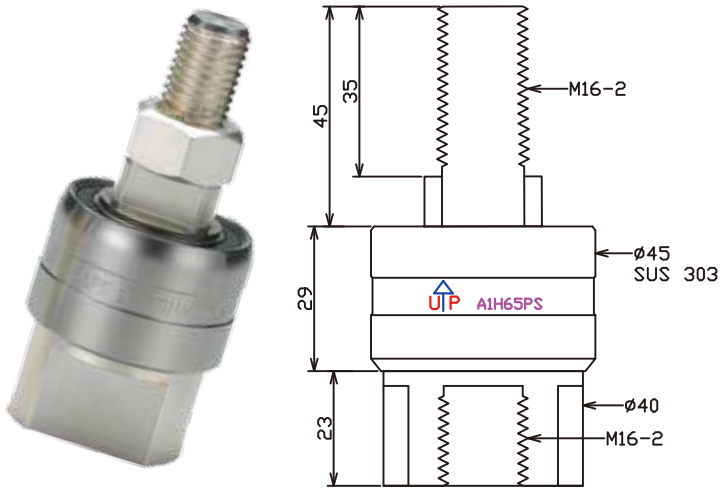
### A1H50PS 1pole 500A



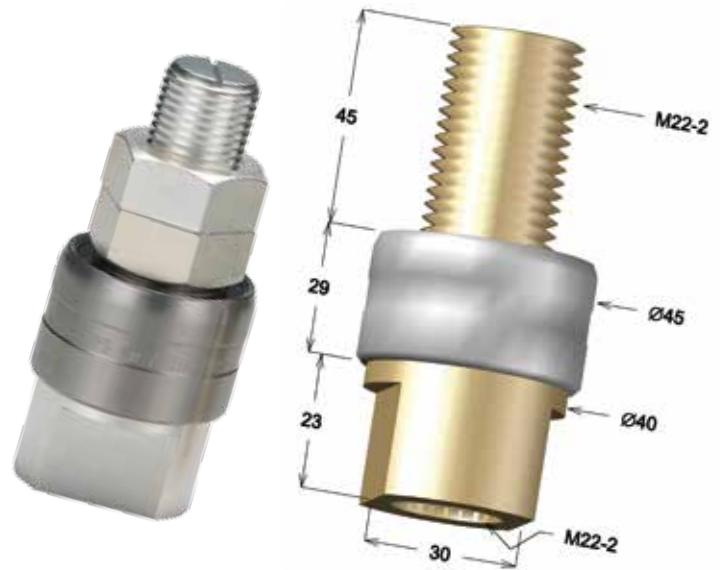
### A1H65S 1pole 650A



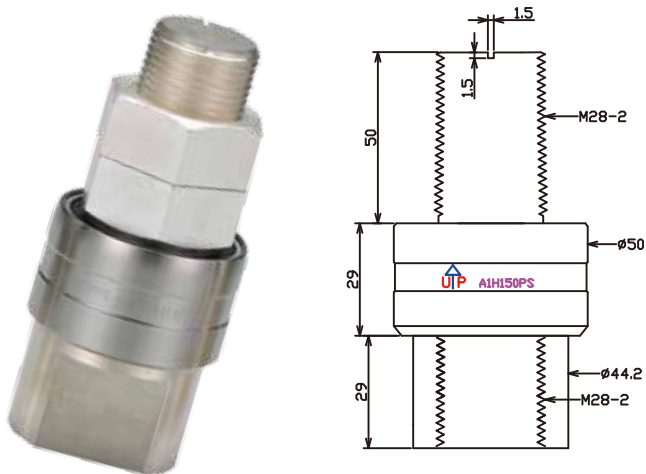
### A1H65PS 1pole 650A



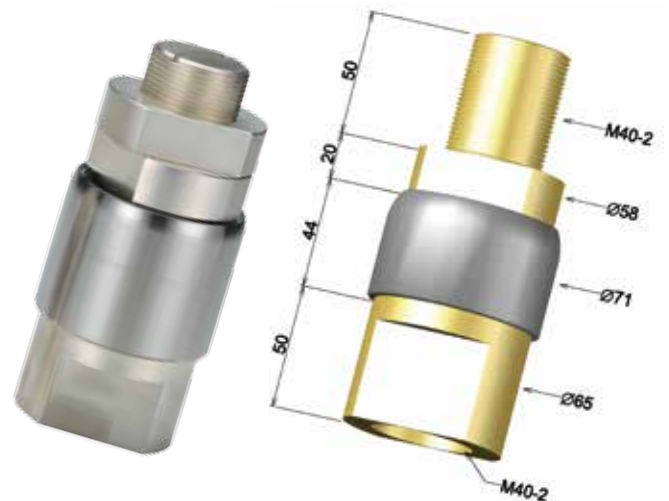
### A1H90PS 1pole 900A



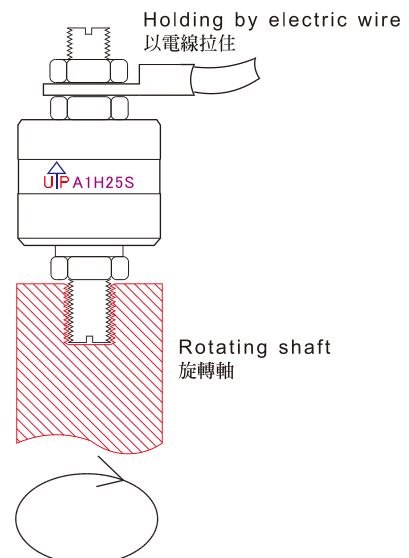
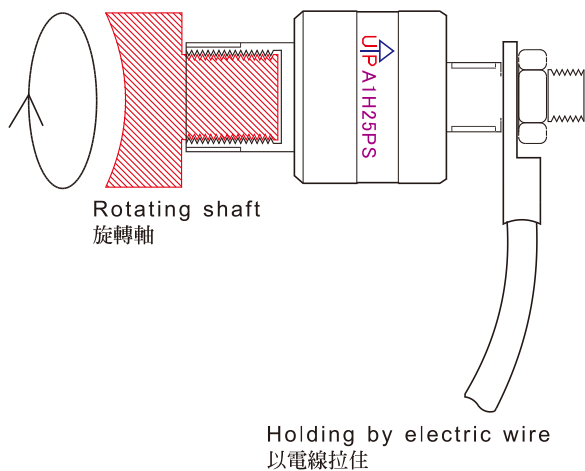
### A1H150PS 1pole 1500A



### A1H300PS 1pole 3000A



### Mounting 安裝



# MULTI CONDUCTORS 多極旋轉連接器



## Specification 規格

Model 型號	Conductor Poles 極數	Current Amp. 電流	Voltage AC/V 耐壓	Max. Freq. MHZ 頻率	Max. RPM 最大轉速	Operating Temp. Max/Min °C 使用溫度	Rotating Torque (gm-cm) 轉矩	Insulation Resistance 絕緣阻抗
<b>A2S</b>	2	4	250	200	2000	60/-30	75	> 25MΩ
<b>A3S</b>	3	4	250	200	1800	60/-30	100	> 25MΩ
<b>A2H</b>	2	30	250	200	1800	60/-30	200	> 25MΩ
<b>A3M</b>	3	30/4	250	200	1800	60/-30	200	> 25MΩ
<b>A3H</b>	3	30	250	200	1200	60/-30	400	> 25MΩ
<b>A4H</b>	4	30/4	250	200	1200	60/-30	400	> 25MΩ
<b>A6H</b>	6	30/4	250	100	300	60/-30	700	> 25MΩ
<b>A8H</b>	8	30/4	250	100	200	60/-30	1000	> 25MΩ
<b>A1030</b>	10	30/4	250	100	100	60/-30	1500	> 25MΩ
<b>A1230</b>	12	30/4	250	100	60	60/-30	2000	> 25MΩ
<b>A1430</b>	14	30/4	250	100	40	60/-30	3000	> 25MΩ

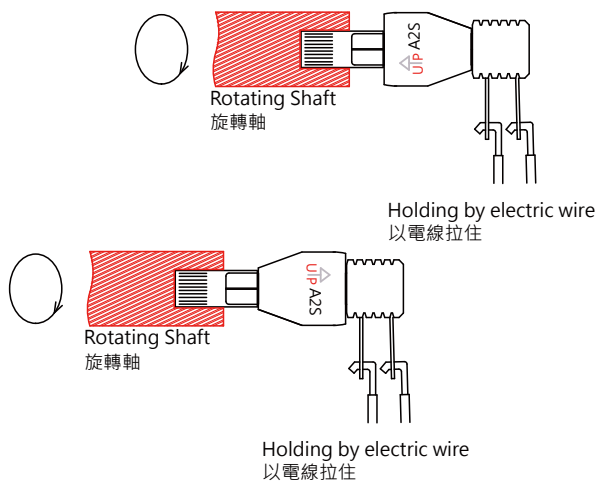
### A2S 2poles/4A/AC250V



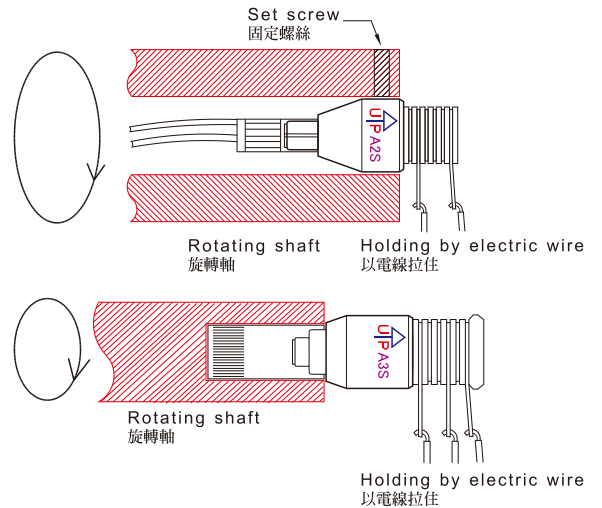
### A3S 3pole/4A/AC250V



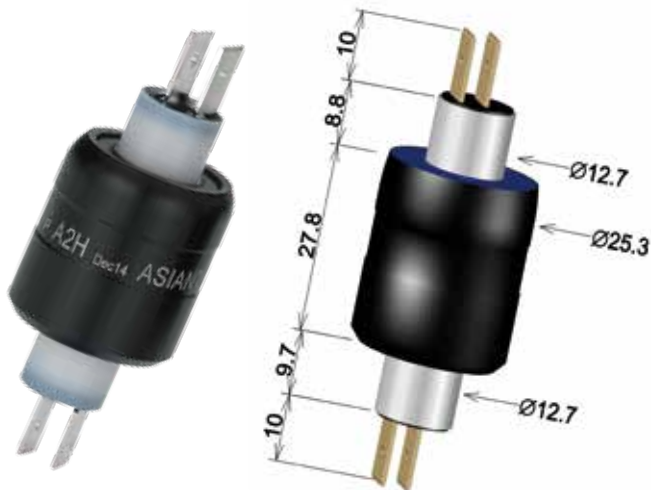
### Mounting 安裝



### Mounting 安裝



### A2H 2poles/30A/AC250V



### A3M 1pole/30A & 2poles/4A AC250V

